

LS820-05 High Performance Limit Switch

LS820-05

The SVF model LS820-05 is a reliable and compact position feedback device fitted with two mechanical SPDT switches rated for 5A service. The NEMA 4/4X enclosure is designed for weather-proof protection and corrosion resistance in demanding environments.

MODEL LS820-05 DESIGN FEATURES

- ✓ NEMA 4/4X (IP67) enclosure to satisfy outdoor protection
- ✓ "Quick-Set" cam is spring loaded and requires no special tools for calibration
- ✓ Dual 1/2" NPT conduit entries facilitate wiring in the field and for additional ancillary pilot valve connections
- ✓ Captive cover bolts remain intact during wiring to prevent loss
- ✓ Stainless Steel trim and mounting hardware
- ✓ Rugged and Compact design



LS820-05 LIMIT SWITCH MOUNTED ON ACTUATOR



INSIDE VIEW:



MATERIALS & SPECIFICATIONS

Enclosure	Aluminum Weatherproof NEMA 4/4X (IP67)
Temperature	-4° F to 176° F (-20° C to 80° C)
Conduit Entry	2 X 1/2" NPT
Terminal Strip	8 points
Position Indicator	2-color OPEN-Yellow/CLOSED-Red
External Coating	Polyester Powder Coating
Shaft	300 Series Stainless

SWITCH SPECIFICATIONS

Type	Mechanical SPDT
Switch Quantity	2
Electrical Rating	250VAC-3A, 125VAC-5A, 250VDC-0.2A, 125VDC-0.4A 30VDC-4A

What do you need today?™

HIGH PURITY
CleanFLOW™
www.CleanFLOW.net

PRO-SPEC
 PROCESS SPECIFIC
www.pro-spec.net

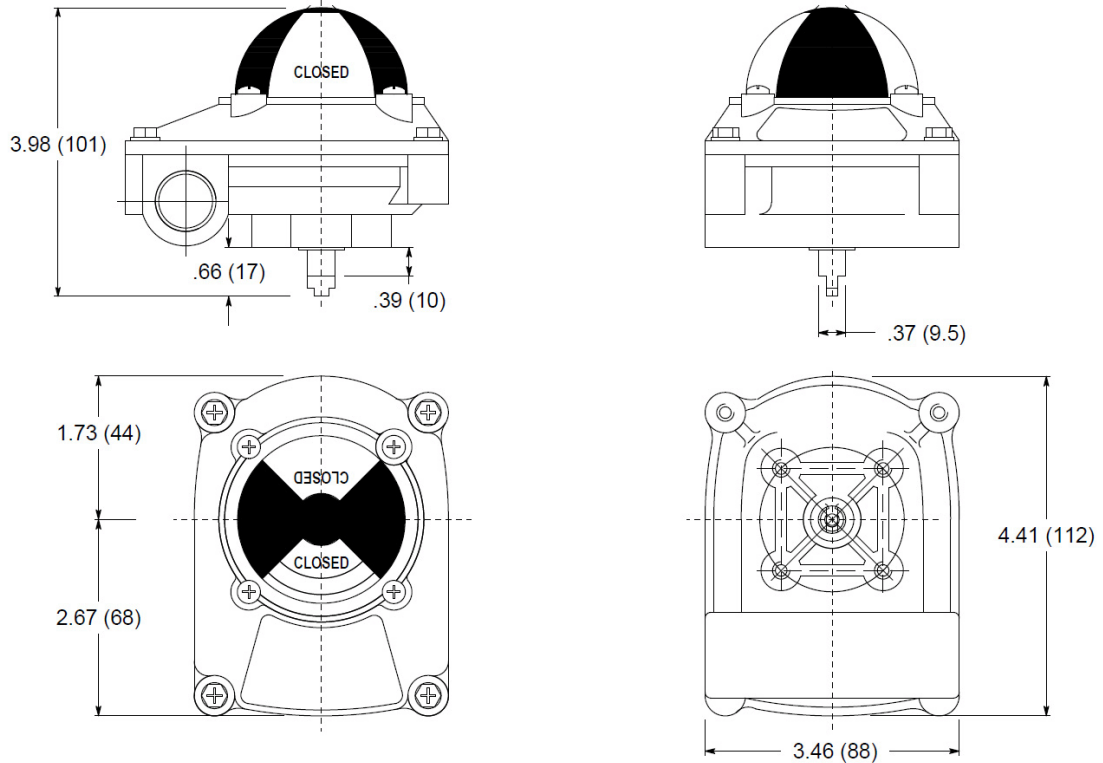
**QUALITY FLOWS
 THROUGH US**

LS820-05 High Performance Limit Switch

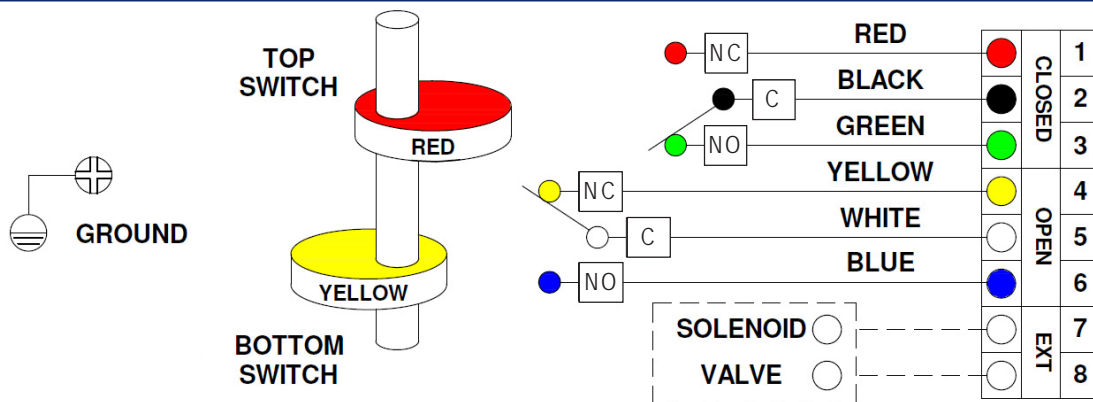
LS820-05

LS820-05 DIMENSIONS

Dimensions shown in inches and (mm)



MODEL LS820-05 WIRING DIAGRAM



HOW TO ORDER MODEL LS820-05 LIMIT SWITCH

PART NUMBER	DESCRIPTION
LS820-05	NAMUR-mount limit switch box with two mechanical SPDT switches in a NEMA 4/4X (IP67) enclosure, 8-point terminal strip and high visibility visual indicator for Open/Closed positions.